

Aritco 9000

- our platform lift with cabin
and automatic run

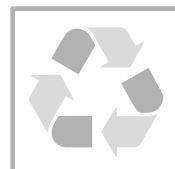
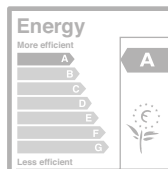
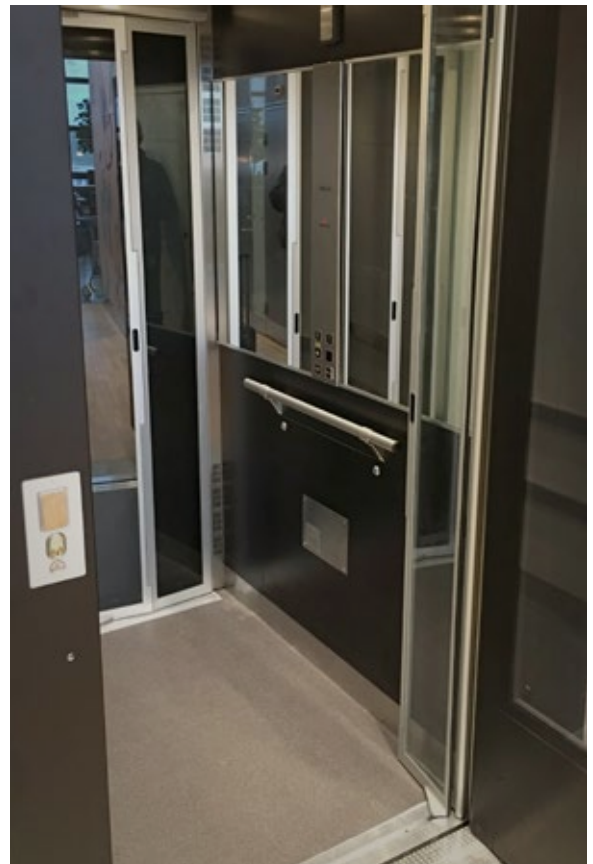
Aritco 9000

Aritco 9000 is our cabin lift for the accessibility market. The lift is designed to meet all requirements for quality, safety and service. It is a perfect fit for tough and demanding environments such as schools, shops and residential buildings.

Several advantages offered by Aritco 9000:

- Design, sizes and options tailored to public environments
- 'A' rated energy consumption according to VDI4707
- 95% recyclable materials
- Environmental classification by the Swedish Sunda Hus organization
- The lowest maintenance and operating costs on the market
- Cabin control: Automatic "one-touch"

For more information please visit aritcoplatformlifts.com/9000



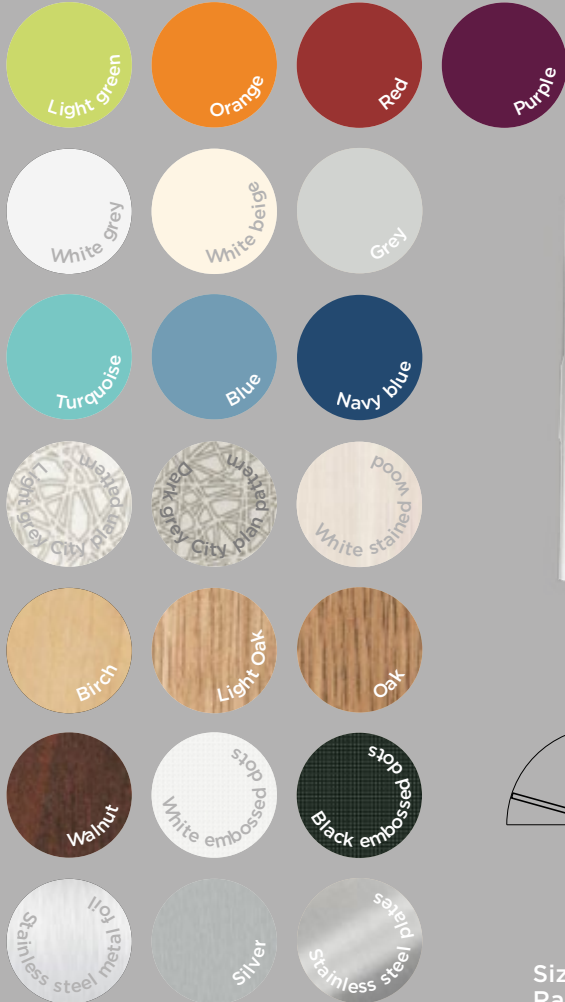
Aritco 9000

LIFT COLOUR

Can be painted in any RAL colour from the RAL Classic chart.

CABIN COLOUR

22 different wall- and ceiling laminates to choose from.



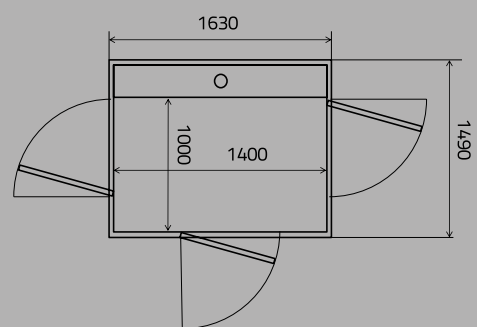
GLASS

4 different glass types to choose from.

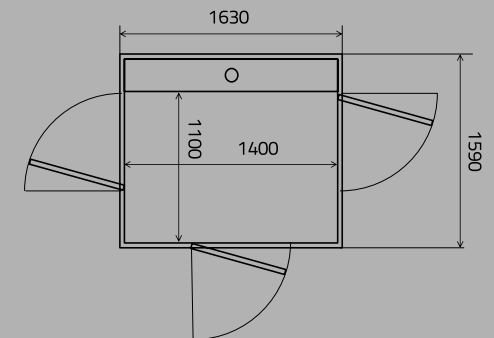


FLOOR

9 different floorings to choose from.



Size: 1000 x 1400 mm
Rated load: 400 kg / 5 pers.
Wheelchair: A or B with attendant*



Size: 1100 x 1400 mm
Rated load: 400 kg / 5 pers.
Wheelchair: A or B with attendant, adjacent entry*

* National guidelines may apply. Wheelchair Type A and B according to EN 12183/EN 12184.

Product summary

<p>TOP HEIGHT</p> <p>Minimum 2400 mm</p>	<p>TYPE OF LIFT</p> <p>Platform lift intended for installation in public environments.</p>	<p>RATED SPEED</p> <p>Max 0,15 m/s</p>	<p>DRIVE SYSTEM</p> <p>Patented screw and nut system 3 kW motor</p>	<p>CONTROL FROM CARRIER CONTROL PANEL</p> <p>- Press one time to operate lift</p>	<p>NUMBER OF FLOORS</p> <p>2 to 6 floors</p>
<p>INSTALLATION</p> <p>Recessed installation 75 mm below floor Installed directly on floor with ramp</p> <p>Control voltage 24V</p>	<p>INDOOR INSTALLATION ENVIRONMENT</p>	<p>TRAVEL HEIGHT</p> <p>2150¹⁾ - 13000 millimeter</p> <p>¹⁾ For opposite entry. 2300 mm when doors on same side</p>		<p>WARRANTY</p> <p>Aritco 9000 comes with a 24 month warranty. The screw and nut assembly has a 10 year warranty.</p>	<p>TECHNICAL COMPLIANCE</p> <p>European Machine directive 2006/42/EC</p>

Emergency lowering: Battery-powered